

NVR

4/8 CH PoE NVR

8MP/6MP/5MP/4MP/3MP/1080P/720P HD PoE NVR



TD-3100B1H-0P



TD-3100B1H-0P series supports 4/8 CH 8MP/6MP/5MP/4MP/3MP/1080P/1280×1024/960P/720P high definition IP video input, which adopts the most advanced SOC technique to ensure high definition recording in each channel and realize outstanding robustness of the system.

TD-3100B1H-0P series integrates with 4/8 PoE network ports and supports 4/8 CH IPC direct connection to NVR, simultaneous 4/8 CH playback and 4K ultra high definition display. The series of product can meet different security requirements of home, financial, commerce, enterprise, transportation and government, etc.



en.tvt.net.cn

For more information, please visit our website

Shenzhen TVT DIGITAL TECHNOLOGY CO., LTD.

Address: 23rd Floor, Block B4, Building NO.9, Shenzhen Bay Eco-Technology Park, Nanshan District, Shenzhen, Guangdong Province, P.R.China

Tel: +86-755-36995888

Web site: <http://en.tvt.net.cn>

Fax: +86-755-33104777

E-mail: overseas@tvt.net.cn

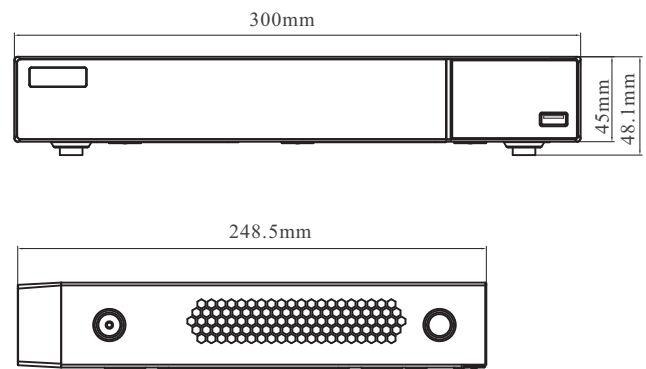
Specifications

Model		TD-3104B1H-4P	TD-3108B1H-8P
System	OS	Embedded Linux	
Video	Network Input	4 CH IPC input	8CH IPC input
	Network Input Resolution	8MP/6MP/5MP/4MP/3MP/1080P/1280×1024/960P/720P/960H/D1/CIF	
	Output	HDMI × 1 : 3840 × 2160 / 1920 × 1080 / 1280 × 1024 / 1024 × 768 VGA: 1920 × 1080 / 1280 × 1024 / 1024 × 768	
	Compression	Standard H.265 / H.264	
Audio	Network Input	4 CH IPC audio input	8 CH IPC audio input
	2-way Audio	RCA × 1	
	Local Output	RCA × 1	
	Compression	G.711(U/A)	
Record	Record Stream	Dual stream recording	
	Resolution	8MP/6MP/5MP/4MP/3MP/1080P/1280×1024/960P/720P/960H/D1/CIF	
	Frame Rate	NTSC:30fps; PAL:25fps	
Playback	Simultaneous Playback	Max. 4 CH	Max. 8 CH
	Search	Time slice / time / event / tag / smart search	
	Smart Search	Highlighted color to display the camera record in a certain period of time, different colors refers to different record events	
	Function	Play, pause, FF, FB, digital zoom, etc.	
Decoding Capability	Live View/ Playback	1CH 8MP; 4CH 1080P	
Alarm	Mode	Manual, sensor, motion, exception, smart events	
	Input	Supports IPC alarm input	
	Output	Supports IPC alarm output	
	Triggering	Record, snap, preset, e-mail, etc.	
Network	Interface	RJ 45 × 1 (10/100/1000Mbps)	
	Protocol	TCP / IP, PPPoE, DHCP, DNS, DDNS, UPnP, NTP, SMTP, HTTP, HTTPS, 802.1x, ONVIF, etc.	
	Incoming/ Outgoing Bandwidth	40/40 (Mbps)	80/80 (Mbps)
	Client Connection	Max. 10 users access	
Mobile Device	OS	iOS, Andriod	
Storage	HDD Interface	SATA3.0 × 1, max 8T	
Backup	Local Backup	U disk, USB mobile HDD	
	Network Backup	Yes	
Port	USB	USB 2.0 × 2	
	Remote Controller	Optional	
PoE	PoE Ports	100M RJ45 × 4	100M RJ45 × 8
	Standards	IEEE802.3af	
	Output Power	≤40W	≤ 96W
Others	Power Supply	DC 48V/1.25A	DC 48V/2.5A
	Consumption	≤ 10W (without HDD)	
	Dimensions (mm)	300 × 249 × 45(W × D × H)	
	Working Environment	-10 ~ 50 °C, 10% ~ 90% humidity	
	Environmental Protection	Complies with Directive EU RoHS, REACH and WEEE	

Features

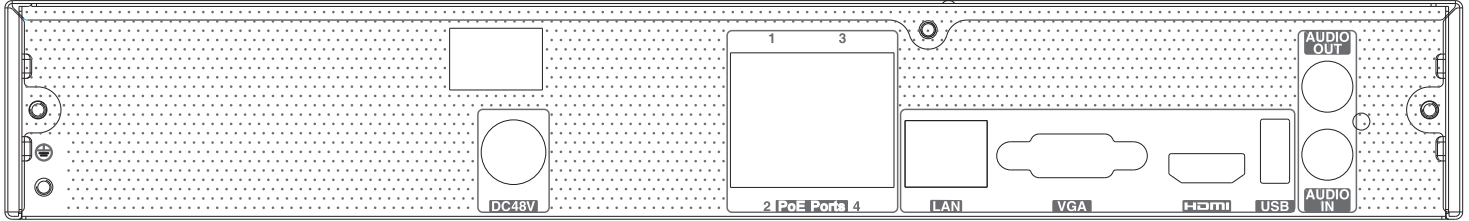
- Support 4/8 CH 8MP/6MP/5MP/4MP/3MP/1080P/1280×1024/960P/720P/960H/D1/CIF IP video input
- Adopt standard H.265 and H.264 high profile compression format to get high-quality video at much lower bit rate
- Intuitive and user-friendly Graphic User Interface (GUI), Windows style operation by mouse
- Multi-mode recording: manual / timed / motion / sensor / POS / AI recording
- Playback : 4 /8CH simultaneous playback
- Search : time slice, time, event, tag, smart search
- Support multiple VCA (Video Content Analytics) events, such as object abandoned/missing, region intrusion, tripwire, video exception, etc.
- Support POS information overlay on live view and playback
- Express and flexible backup via USB, network and so on
- Pentaplex : preview, record, playback, backup and remote access
- DHCP, DDNS, PPPoE network protocol
- Remote control via Web or CMS : preview, playback, backup, PTZ and configuration
- 4/8 PoE network ports; IPC can be directly connected to NVR; PoE power supply supported
- Dual stream technology for local storage with high definition, remote network transmission and remote surveillance with mobile device
- Multi-user online simultaneously
- Authorization management, log view and device status view
- 4K output, true high resolution display
- Support NAT function and QRCode scanning by mobile phones
- Powerful mobile surveillance by smart phones with iOS and Android OS

Dimensions



Rear Panel

TD-3104B1H-4P



TD-3108B1H-8P

